



### I Applications

The Hyginox SE pump is a centrifugal pump manufactured in stainless steel and with a shrouded motor.

Its sanitary and cost-efficient design makes it perfect for the dairies, beverages, food-processing, pharmaceutical and fine chemicals industries.

### I Operating principles

Housed inside the casing, the impeller rotates in conjunction with the pump shaft.

With this arrangement, the impeller blades convey energy to the fluid in the form of kinetic energy and pressure energy.

This pump is not reversible by simple reversal of the direction of rotation. The direction of rotation is clockwise when the pump is viewed from the rear side of the motor.

### I Design and features

Casing manufactured with cold-formed plate.

DIN connections (standard)

Open impeller manufactured with stainless steel investment casting

Mechanical seal according to DIN 24960 L1K

AISI 304 motor shroud,

Adjustable stainless steel legs.

Pump certified according to 3A sanitary standards.

IEC B34 motors, IP 55, F-class insulation

### I Materials

Parts in contact with pumped media:

Other parts

Gaskets (standard)

Mechanical seal (standard)

Inside surface Finishing

Outside Surface Finishing

AISI 316L

AISI 304

EPDM (FDA)

C/SiC/EPDM

Ra ≤ 0.8 μm

Mirror polished



### I Options

Mech.seal in C/St.St and SiC/SiC

Gaskets in FPM (Viton<sup>®</sup>) and PTFE

Self-priming casing

Drainage connection

Connections: Clamp, SMS, RJT...

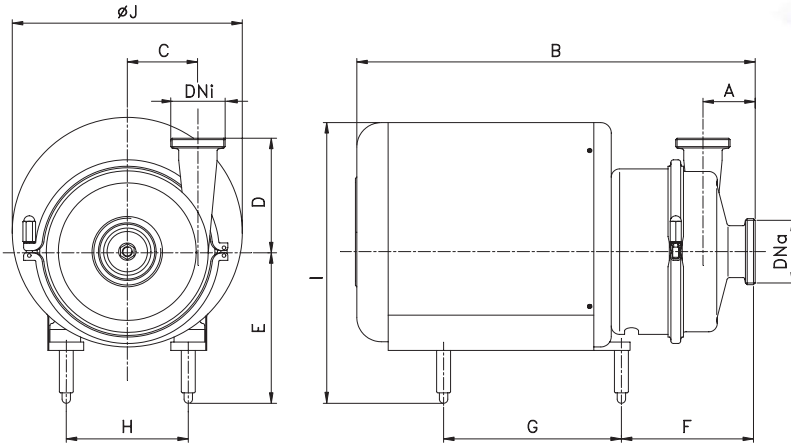
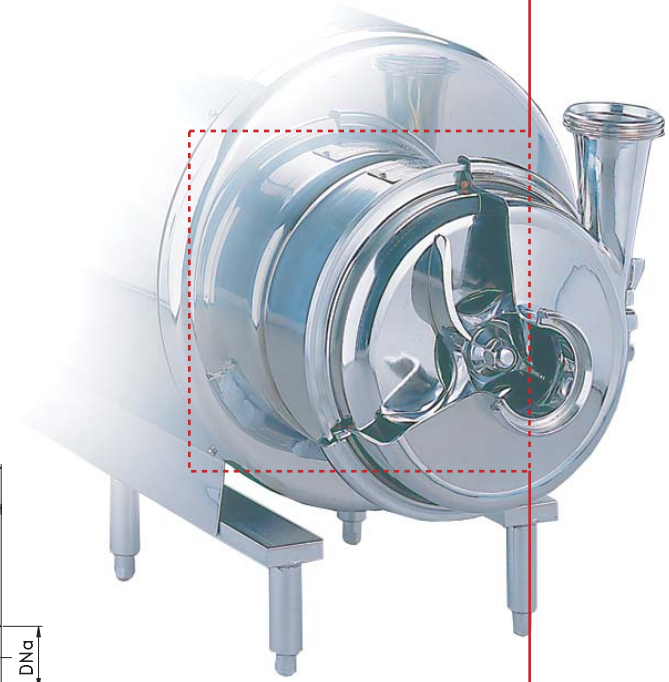
Motors with additional protection

Trolley and/or Switchboard



## I Technical specifications

Max. flow	100 m <sup>3</sup> /h / 440 GPM
Max. head	75 mcl / 246 ft
Max. suction pressure	4 bar / 58 PSI
Max. operating temp.	120 °C / 248°F
Max. speed	3500 min <sup>-1</sup>



TYPE	Motor Size	kW		DNa	DNi	A	B	C	D	E	F	G	H	I	ØJ	
		2950 min <sup>-1</sup>	1450 min <sup>-1</sup>													
SE-15	A	71	0,37-0,55	0,25	40 1 1/2"	32 1 1/2"	55	400	55	100	160	140	140	112	288	220
SE-20	C	90	1,5-2,2	1,1	50 2"	40 1 1/2"	55	475	74	140	196	160	220	140	355	270
SE-26	C	90	-	1,1	65 3"	50 2"	55	485	72	150	196	220	220	355	355	270
	E	100	3	-				570			218	177	254	175	412	330
	F	132	5,5	-				680			255	184	260	216	472	380
SE-28	C	90	1,5-2,2	1,1	40 1 1/2"	40 1 1/2"	65	480	107	165	196	164	220	140	355	270
	E	100	3	-				565			218	172	254	175	412	330
	F	132	5,5	-				675			255	179	260	216	472	380
SE-35	C	90	-	1,5	65 3"	50 2"	75	495	104	175	196	179	220	140	355	270
	F		5,5-7,5-9-11	-				690			255	180	260	216	472	380
SE-36	C	90	-	1,5	100 4"	65 3"	75	495	98	180	196	179	220	140	355	270
	E	100	-	2,2-3				580			218	187	254	175	412	330
	F	132	-	4				690			255	194	260	216	472	380

Dimensions with DIN 11851 connections.

